

LONG LIFE
LOW EMISSION

wallas[®]
marine



Looking after the well-being of boaters since 1972



Wallas is a top Finnish brand of products designed to withstand demanding Nordic conditions.

Safety and reliability are qualities valued by all boaters. Backed by thirty years of experience and continuous product development, Wallas has created a range of marine stoves and heaters in which the main emphasis is on just these qualities.

Wallas stoves and heaters employ our proprietary burner technology; it offers a wider area of power as well as extremely clean, laminar burning. The closed, balanced circulation of the combustion air, combined with the use of non-explosive, non-pressurised fuel, guarantees safe operation.

When designing Wallas heaters, we have also paid special attention to sound levels and general convenience. Warmth should be felt, but need not be heard. A Wallas heater runs quietly and smoothly, keeping you warm, in wind and storm as under sunny skies.

Wallas Nautic Diesel heaters are easy to install and use. The heaters are presented on pages 10-11. Installation accessories are to be found on pages 12-13.

LONG LIFE LOW EMISSION



Easy, effective and safe to use – as only Wallas knows how



The success of Wallas is founded on high-quality products and innovative product development. Our focus is on highly advanced design extending to even the smallest details of our products.



The craftsmanship used in production guarantees a first-rate product.

Wallas stoves are equipped with step-less temperature control. You can freely move your cookware around the entire cooking surface to find the most suitable temperature. You can whip up a meal in just a few minutes; after switching the stove on, the amount of heat and cooking time corresponds to that of a home stove. With Wallas, cooking becomes part of the fun of sailing rather than an associated chore.

The switch for the stove and the separately installed oven switch may be placed as desired, for example, out of reach of children. The diesel fuel for the stove and oven may be taken from the boat's main tank. The features of the Safe Flame 86D oven include a durable stainless steel casing, thermostat-controlled heat circulation, and a temperature indicator. Thanks to the air circulation technology, the oven bakes at an even temperature without burning the food.



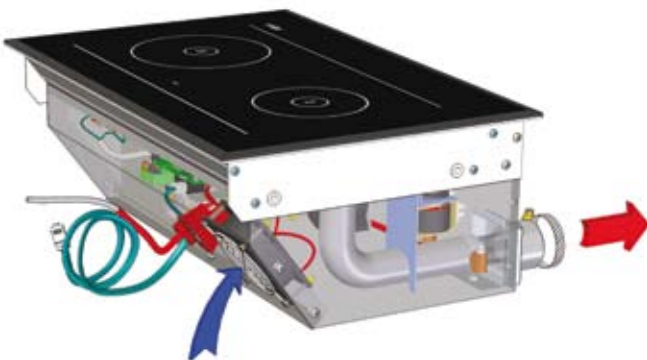


Safeflame 88D

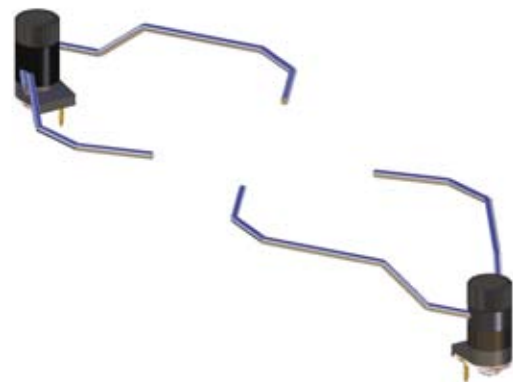
A diesel stove at the top end of the style range. At working surface level the only visible part is the high quality beveled edge ceramic top. The stove provides as much heat as a gas stove, but is much safer. The ceramic top is also easy to keep clean. The stove has a warning light that stays on while a plate is hot.



Stylish beveled edge ceramic top.



A special ventilation box underneath means that the only visible part of the unit is the ceramic top.



Pot holders are fixed at table top level and are easy to detach.



Safeflame 85D

The Safe Flame 85D represents the apex of technology in its field. It is a flat, submersible stove which operates with diesel fuel. Its ease of use and safety together with its elegant looks will ensure its popularity with the boat's cook.

Using Wallas stoves is just as easy as using the stove in your home. You just press a button and the stove is on. The ceramic top is also easy to keep clean.

You can freely move your cookware around the entire cooking surface to find the most suitable temperature.



The edges of the stove raise just 2 mm from the surface of the table. There are no visible screws. The orange light warns you that a plate is hot.



The easily adjustable pot holders are fastened with a separate anti-slip bracket.



You can conveniently make toast while boiling the tea water on the other plate .





Wallas stoves and ovens

- The products are safe because the fuels used are non-explosive, and combustion is controlled and enclosed, with no naked flames.
- Flush mounted stoves and separate ovens have individual power switches, which can be positioned as required, for example, out of reach of children
- All models have stepless power control
- When cooking is going on, boiling speeds and cooking temperatures are comparable with those of home stoves
- Ceramic tops are easy to keep clean
- Combustion without naked flames means that moisture does not condense in the cabin



Wallas 88DU			
900-1900 W	≈ 0,19 A	D	
0,09-0,19 l/h			



Gimbal brackets



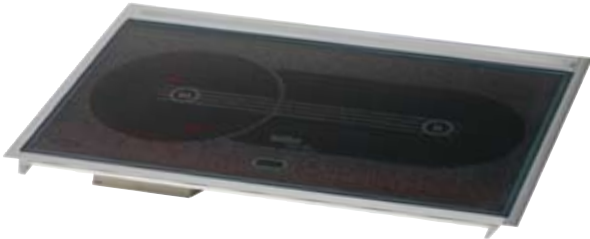
Heat blower lid



Paraffin oil-operated



Diesel-operated



Wallas 85DU			
900-1900 W	≈0,19 A		D
0,09-0,19 l/h			



Wallas 85DP				12 V
900-1900 W	≈0,19 A		D	
0,09-0,19 l/h				



Wallas 86D			
1000-2500 W	≈1,6 A		D
0,1-0,25 l/h	12 V		



Wallas 87D				
85D 900-1900 W	≈1,6+0,19 A		D	
86D 1000-2500 W				
0,09-0,44 l/h				



Wallas 800			
650-1200 W	≈0,15 A		P
0,07-0,13 l/h	12 V		

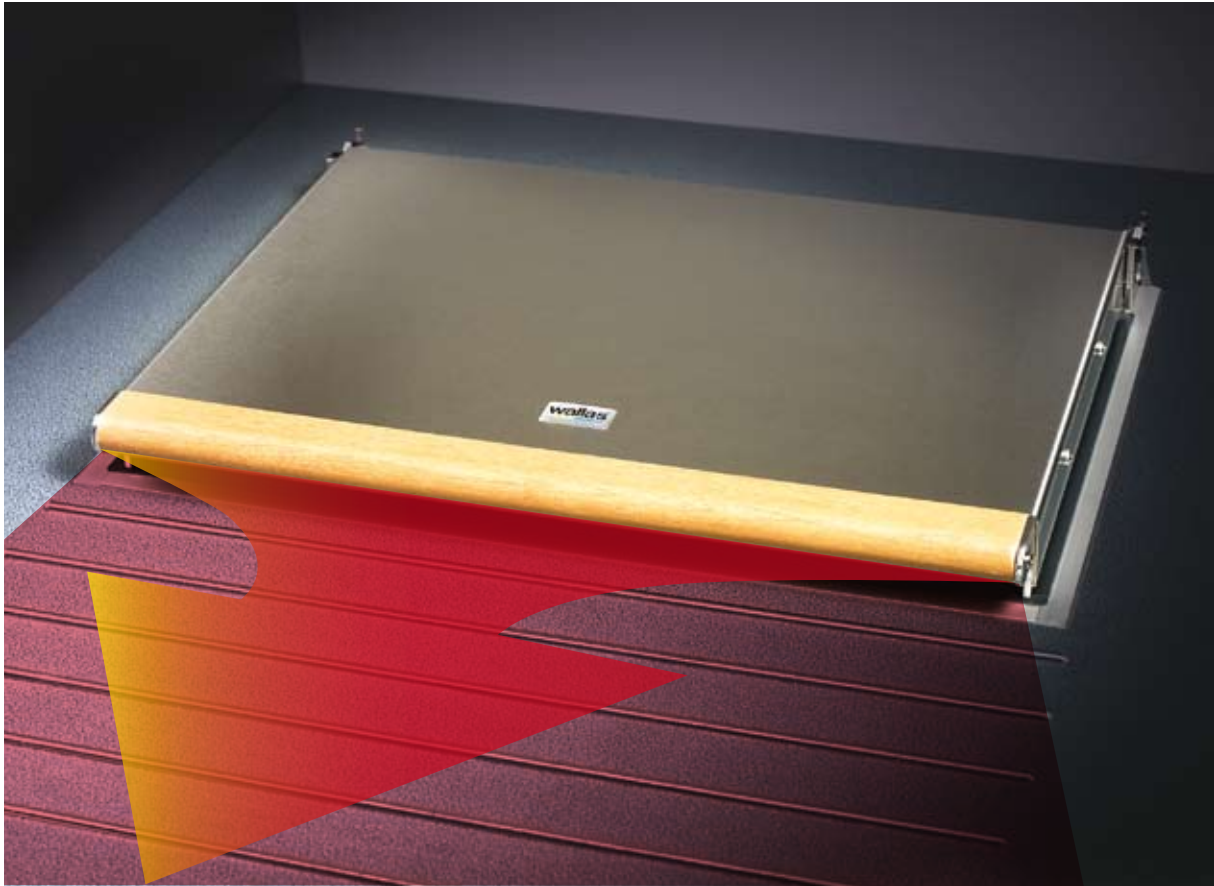


Wallas 90			
700-1800 W	≈0,15 A		P
0,08-0,19 l/h	12 V		





Heat blower lids – a unique combination of stove and heater



A heat blower lid transforms your stove into a cabin heater. The unit functions as a stove when the lid is lifted, but when the lid is closed, the blowers inside it activate and blow the heat from the burners into the cabin.



The wooden handle is attractive and pleasant to take hold of.



Heat blower lids are available for the following stoves: 85DU, 85DP, 800 and 90.



270 + 110	(85DP)	
900-1900 W	≈0,28 A	12 V

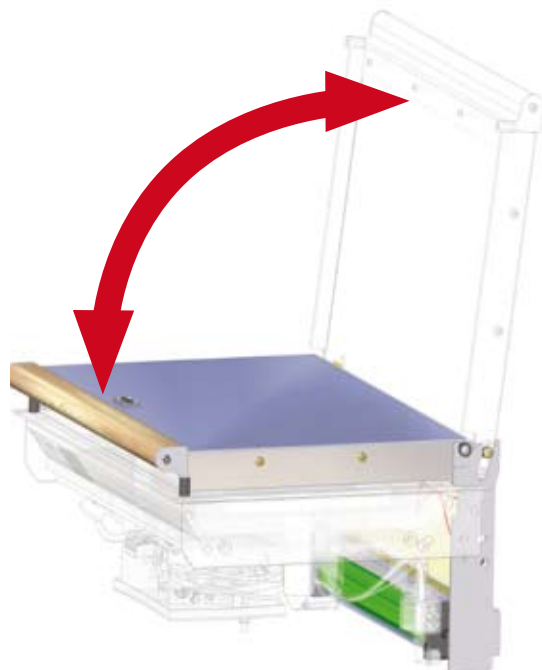


220	(800)	
650-1200 W	≈0,4 A	12 V



270 + 109	(90)	
700-1800 W	≈0,4 A	12 V

270	(85DU)	
900-1900 W	≈0,28 A	12 V



A stove fitted with a blower lid also serves as a cabin heater.





The quietest cabin heaters on the market

LONG LIFE
LOW EMISSION

Wallas heaters:

- quiet
- easy to install
- efficient—use little energy
- made of stainless steel



Silent, balanced combustion



Clean, laminar flow combustion together with high quality blower motors are your best guarantee of a low noise level and a good night's sleep. The products' safety is assured by enclosed and balanced

circulation of the combustion air, and the use of non-explosive, non-pressurized fuel.

Easy to install. The heater is particularly easy to install. Due to its quiet operation and even combustion, no silencers are needed e.g. Installation of a 1300-model heater involves no more than connecting to the power supply, and fastening the fuel hoses and the exhaust pipes.


Simple, efficient and fast.

Compatibility of the heaters:


1300 Blower lids	1800 2400	30 D	40 D
• One spacious cabin or control cabin (HT boats)	• 6-8 m boats	• 8-10 m boats • 30D boats with diesel engine	• 9-12 m boats • for installation in engine room • boats with diesel engine

Diesel heaters



Nautic 30D		
1000-3000 W	≈1,0-1,9 A	D
0,1-0,3 l/h	12 V	
vent max. 113 m ³ /h	heat max. 143 m ³ /h	



Nautic 40D		
1300-4000 W	≈1,8-4,4 A	D
0,13-0,4 l/h	12 V	
vent max. 177 m ³ /h	heat max. 224 m ³ /h	


Nautic 30D ja 40D -heaters are noted for their extremely quiet operation. The air production capacity is good and the heaters are suitable even when long hoses are needed. All parts are made from non-corroding materials. As well as heaters, the Nautic 30D and 40D can also be used as ventilation units. They use minimal electricity and are very easy to install.

Paraffin oil heaters




Wallas 1300		
1200 W	≈0,4 A	P
0,13 l/h	12 V	
	heat max. 50 m ³ /h	



Wallas 1800		
950/1700 W	≈0,35/0,5 A	P
0,1/0,18 l/h		
vent max. 68 m ³ /h	heat max. 85 m ³ /h	



Wallas 2400		
950/2300 W	≈0,5/1,3 A	P
0,1/0,24 l/h	12 V	
vent max. 86 m ³ /h	heat max. 109 m ³ /h	

The even combustion of Wallas heaters is clean, and the use of paraffin oil supports long intervals between maintenance. You can just concentrate on enjoying your holiday.

 Fresh air circulation

P Paraffin oil-operated

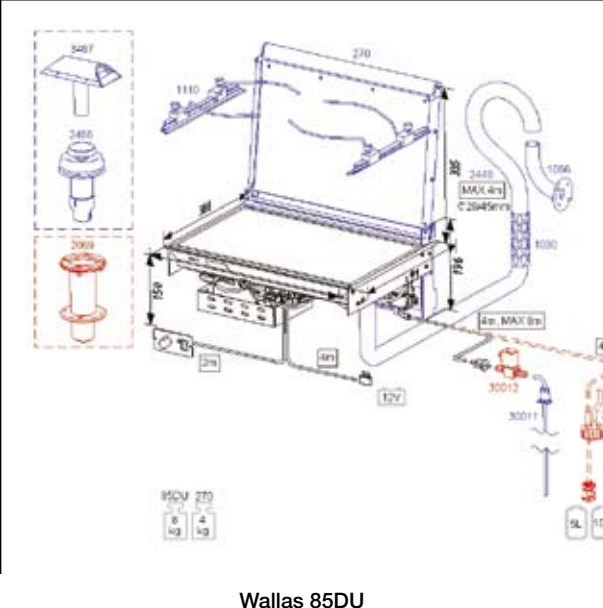
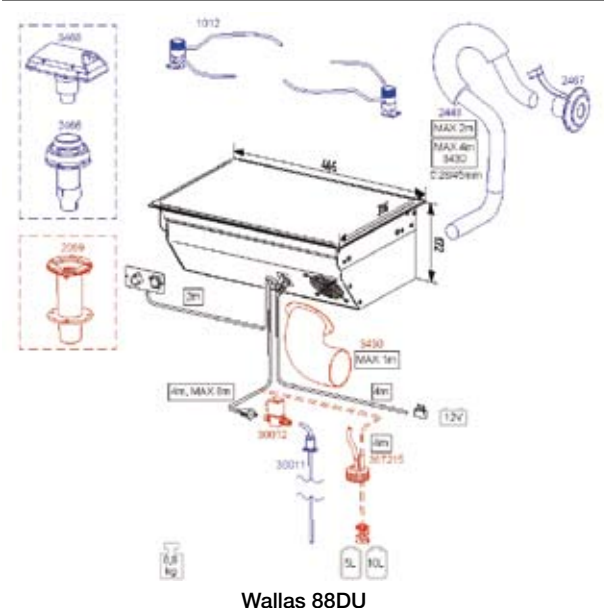
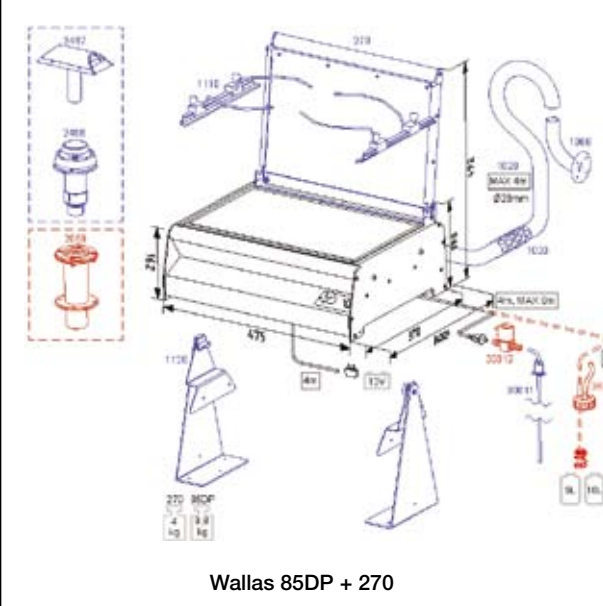
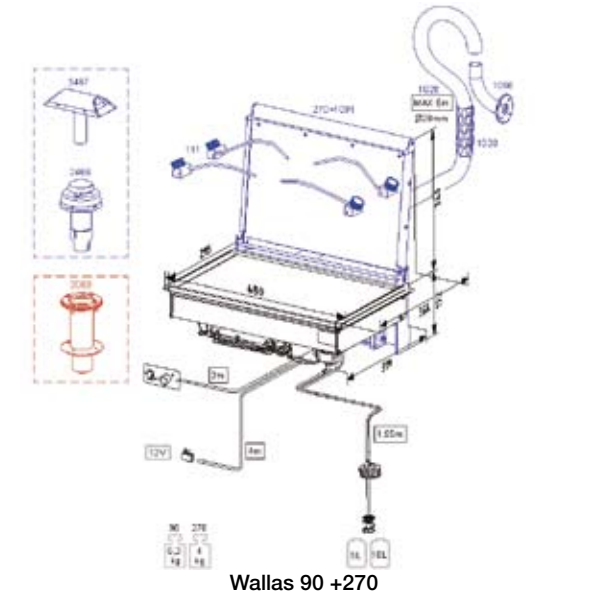
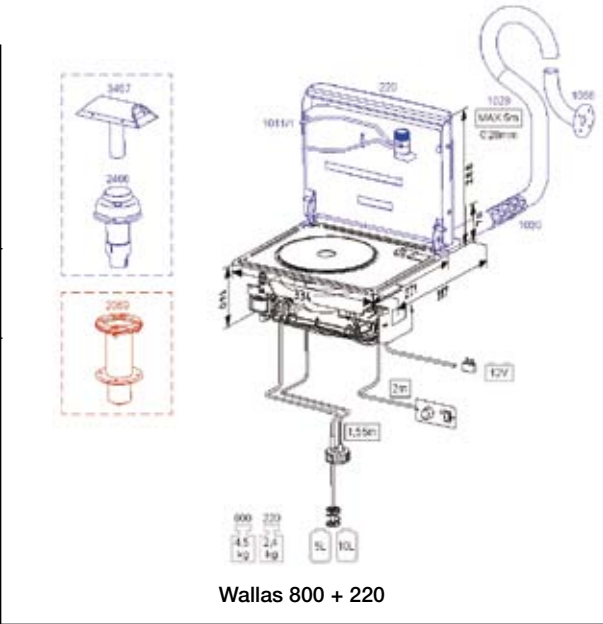
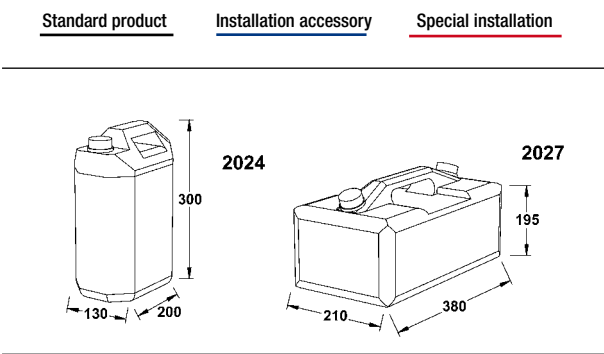
D Diesel-operated

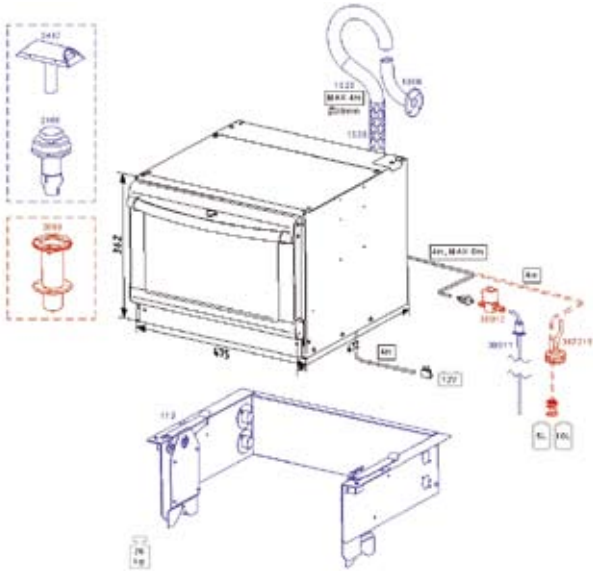




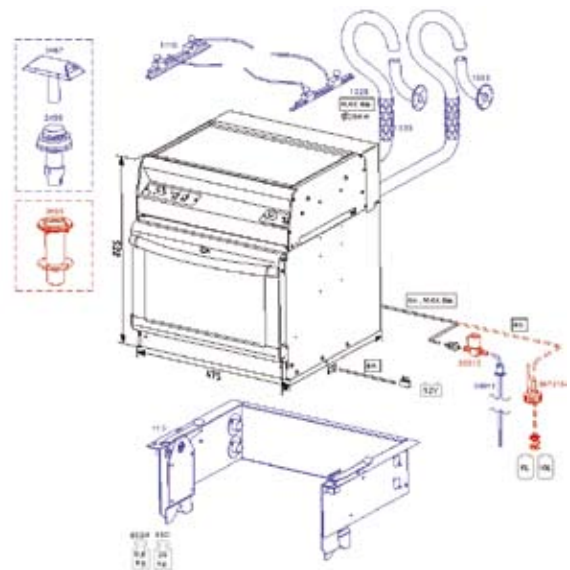
Dimensions and installation accessories

Wallas stoves and heaters are easy to install and use. In the diagrams below, you see the dimensions and installation accessories. Only parts and items approved by Wallas should be used.

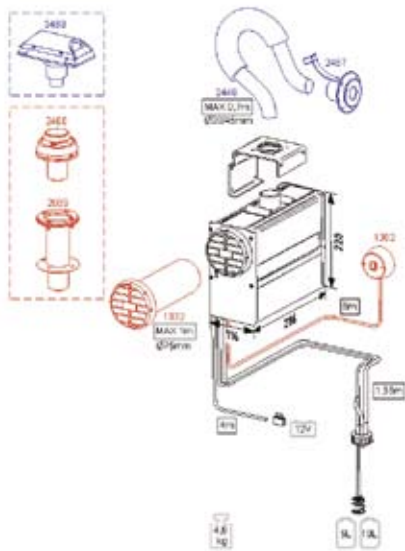




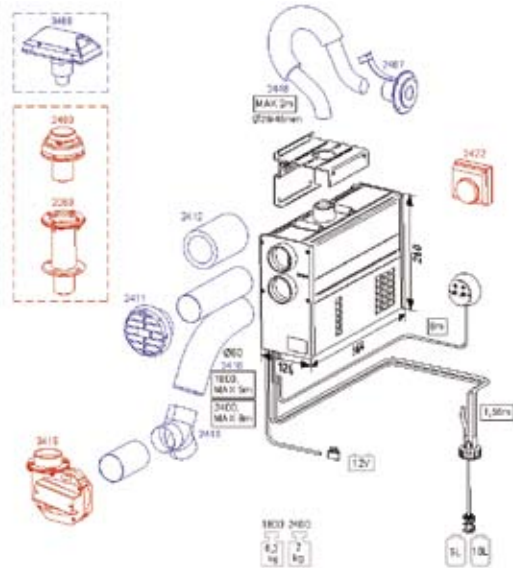
Wallas 86D



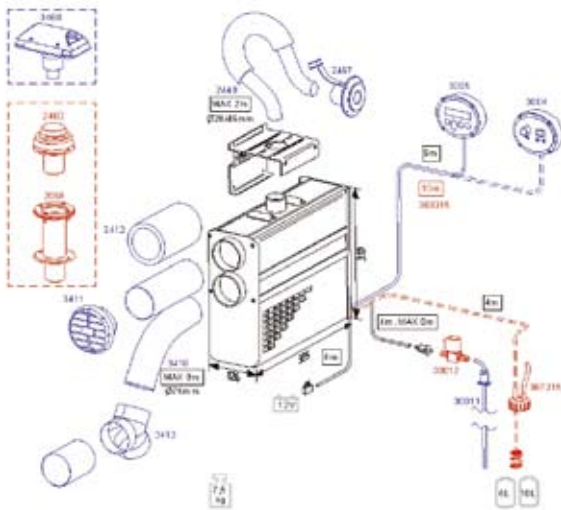
Wallas 87D



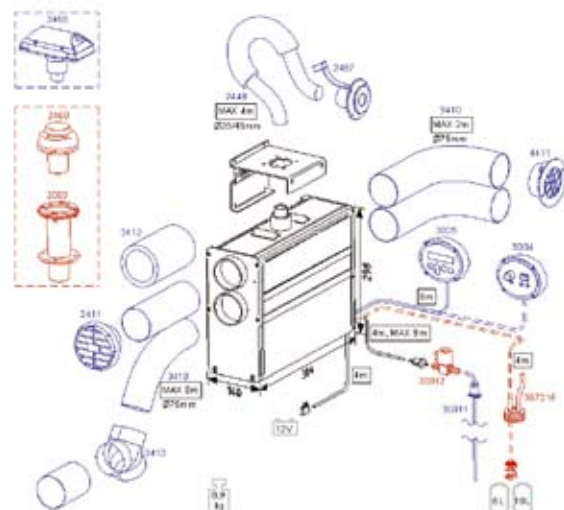
Wallas 1300



Wallas 1800, 2400



Wallas Nautic 30D



Wallas Nautic 40D





Accessories



Gimbal brackets are available for models 85DP, 86D, and 87D. Pot holders are available for all models.



The hull and deck ducts are of high quality. To minimize heat loss we recommend insulating the warm air hoses. Hoses of different diameter may be connected using adapters (60-75-90 mm).



The shallow, 10-litre special tank is suitable for placement in various storage compartments of the boat.



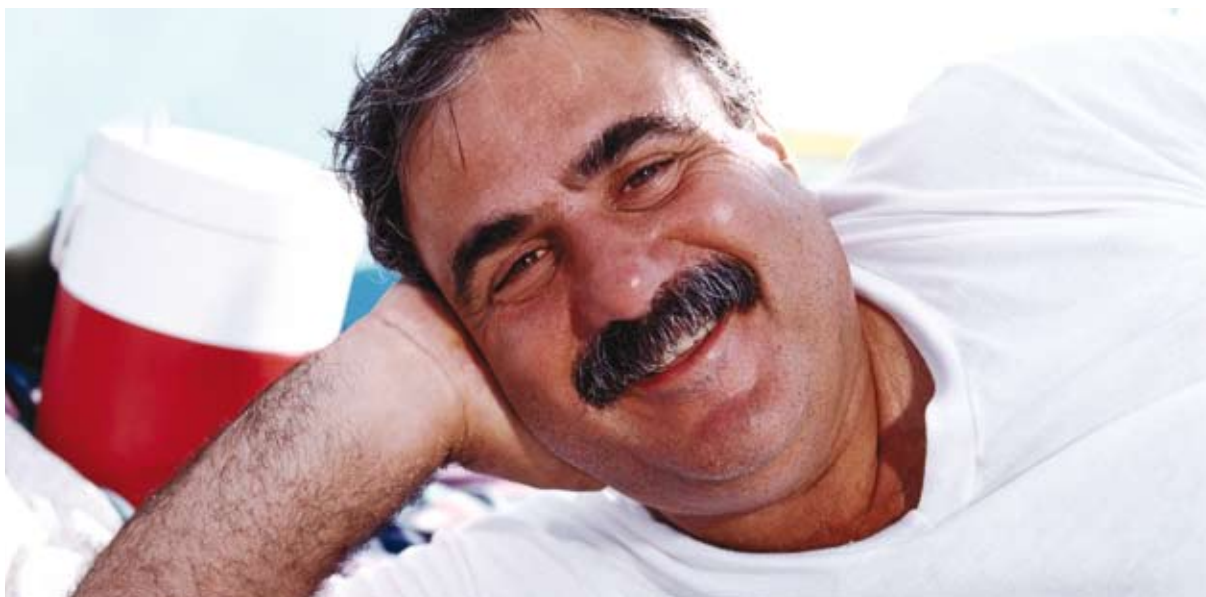
The extra blower (3415), which can be steplessly adjusted, may be used to direct more heat to a specific location (e.g. for exceptionally long warm-air hoses).



10		
100 Pa	0,3 A / 0,6 A	
15 l/s (50 m³/h)	12 V	

Range hood: two speeds, quiet and efficient, equipped with a light.

Wallas stoves and heaters easy to use - easy to install



Service

Wallas units are designed to provide efficient operation over a long lifetime. However, even the best products require maintenance. To assure trouble free operation we recommend that you arrange a service in good time before the start of the boating season. A unit should also be brought in for service if any faults occur in normal operation.

Spare parts

Insist on the originally specified spare parts that have been developed and tested by Wallas. Genuine Wallas spare parts can be identified by their Wallas pack or by the Wallas sealing label on plastic bags. Use of non-Wallas parts is not recommended, and would also invalidate your product's guarantee.

www.wallas.com – lots of additional useful information

On the Wallas website you can access lots of useful information on installation, use and service of our products. You can download documents such as:

- Installation and user instructions
- Service instructions
- Fault checklists
- Spare part lists

Warm and comfortable boating – Wallas



LONGFLOW!
LIFE EMISSION

wallas[®]
marine

Manufacturer: Wallas-Marin Oy, Kärriykatu 4, FI-20780 Kaarina, Finland
Tel. +358 (0)2 412 0500, Fax. +358 (0)2 412 0510. www.wallas.com