



Water makers

a desired spring
...



COMPANY PROFILE

Our factory, manufacturing marine air conditioning systems since 2002 in Izmir, Turkey added his new production line of watermaker technologies in 2009, with the increasing demand of the market in this field. For the moment, PRATIKEL is offering 9 ranges of cost effective watermakers with high engineering and workmanship from 30 lt/h up to 330 lt/h fresh water production ranges.

New options and products we are developing, is the proof of the importance that we give to research and development. Our goal is having long term partnerships in all international markets and carry our well reputation to future developments by PRATIKEL branded cost effective quality watermakers.

Pratikel believes that a successful business co-operation depends on utmost devotion to promises and a truthful relation with global partners. For this reason, we get our confidence from frankly approaches and our desire to expand business in terms of a trustworthy relations. We are willing your attendance in this family to expand our values and principals.

PRATIKEL PSM serie watermakers are manufactured with two different compact sizes, from 30 lt/h to 60 lt/h water supply capacity. Body of the units are built by electrostatic powder coated aluminium frame, and brass high pressure pump is used in both ranges. Manual fresh water flush is included in the standard equipment. Automatic salinity monitoring and rejection of non-quality items are features of PSM series. This feature will allow the unit to keep the quality of fresh water at the acceptable levels and provide a longer life for your PRATIKEL watermaker.

PSM



| Model | lt/hour | lt/day | Power Supply | Power Consumption | Membranes | Dimensions (LxWxH cm) | Weight (kgs) |
|---------|---------|--------|-----------------|-------------------|---------------|-----------------------|--------------|
| PSM-030 | 30 | 700 | 220V/1 ph/50 Hz | 0.55 kW | 1 x 2.5" x21" | 80x42x40 | 78 |
| PSM-060 | 60 | 1200 | | | 2 x 2.5" x21" | | |

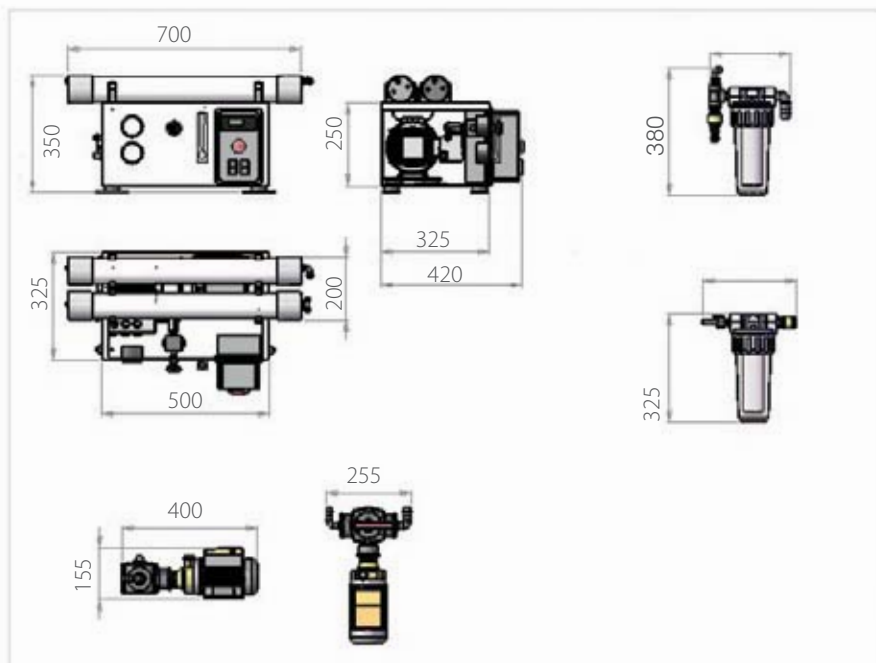
Values are based on 25°C, 35000 TSD seawater and 60 bar pressure.

PSM Serie Watermaker Box Includes

- 316L stainless steel high pressure control valve,
- 316L stainless steel high pressure safety valve,
- 316L liquid filled high and low pressure gauges,
- fresh water flow meter,
- seawater flow meter,
- Low pressure shutdown,
- FILMTEC TFC membrane,
- FRP membrane housing,
- 316 stainless steel high pressure fittings,
- 25-5 micron pre-filtering,
- Operating time display

Optional Equipment

- Feed pump, automatic pressure regulator and fresh water flush, remote control





PRATIKEL PLG serie watermakers are manufactured with 5 different ranges from 80 lt/h up to 330 lt/h water supply capacity. Body of the units are built by electrostatic powder coated aluminium frame, and 316L stainless steel high pressure pump is used in all ranges. As the manual fresh water flush is included in the standard equipment, automatic version can also be ordered optionally. Automatic salinity monitoring and rejection of non-quality of items are features of PLG series. This feature will allow the unit to keep the quality of fresh water at acceptable levels and provide a longer life for your PRATIKEL watermaker.

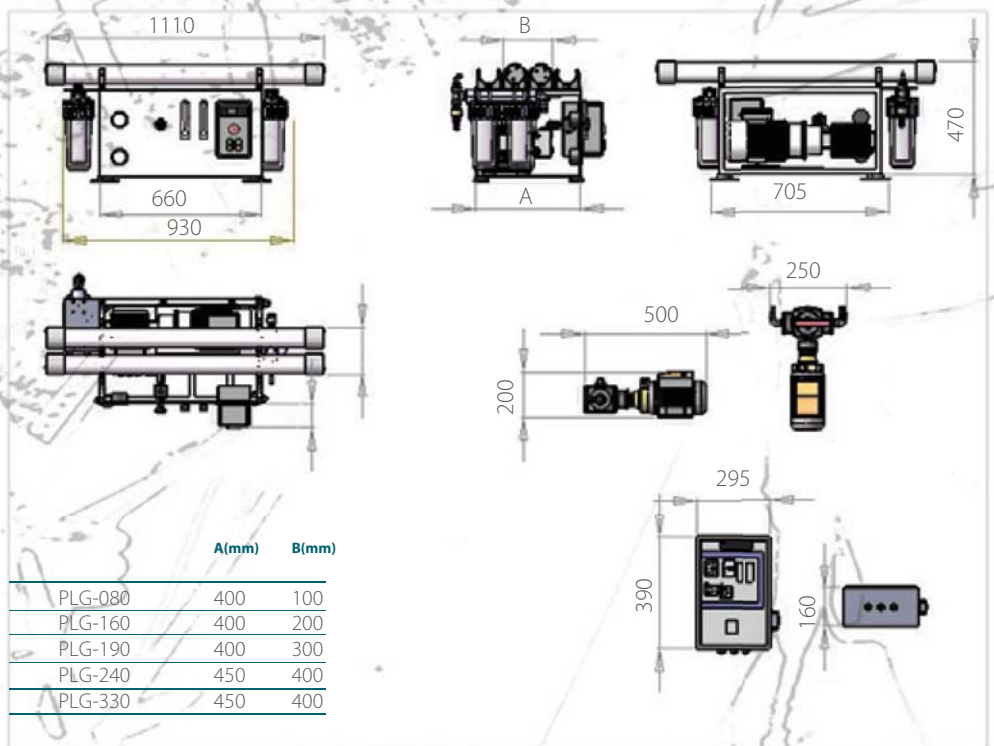
PLG

| Model | lt/hour | lt/day | Power Supply | Membranes | Dimensions (LxWxH.cm) | Weight (kgs) |
|---------|---------|--------|-----------------|---------------|-----------------------|--------------|
| PLG-080 | 80 | 1900 | 220V/1 ph/50 Hz | 1 x 2.5" x40" | 111x60x50 | 85 |
| PLG-160 | 160 | 3800 | | 2 x 2.5" x40" | 111x60x50 | 90 |
| PLG-190 | 190 | 4500 | | 3 x 2.5" x40" | 111x60x50 | 95 |
| PLG-240 | 240 | 5500 | | 4 x 2.5" x40" | 111x60x50 | 100 |
| PLG-330 | 330 | 7000 | | 2 x 4" x40" | 111x60x50 | 105 |

Values are based on 25°C, 35000 TSD seawater and 55 bar pressure.

PLG Serie Watermaker Box Includes

- 316L stainless steel high pressure control valve,
- 316L stainless steel high pressure safety valve,
- 316L liquid filled high and low pressure gauges,
- fresh water flow meter,
- seawater flow meter,
- Low pressure shutdown,
- FILMTEC TFC membrane,
- FRP membrane housing,
- 316 stainless steel high pressure fittings,
- 25-5 micron pre-filtering,
- Operating time display



Optional Equipment

- Feed pump, automatic pressure regulator and fresh water flush, remote control

Higher ranges of custom made watermakers are available upon request.



PXL

PMD

PRATIKEL PMD serie watermakers are manufactured with two different compact sizes, from 96 lt/h to 120 lt/h water supply capacity. Body of the units are built by electrostatic powder coated aluminium frame, and 316L stainless steel high pressure pump is used in both ranges. Manual fresh water flush is included in the standard equipment. Automatic salinity monitoring and rejection of non-quality items are features of PMD series. This feature will allow the unit to keep the quality of fresh water at acceptable levels and longer life for your PRATIKEL watermaker.



pratikel

1203 Sok. No:8 Eminhan Is Merkezi D.108
Yenisehir 35110, Izmir, TURKEY
Tel: +90 232 459 85 54 Fax: +90 232 459 85 94
e-mail: info@pratikel.com.tr

www.pratikel.com.tr



| Model | lt/hour | lt/day | Power Supply | Power Consumption | Membranes | Dimensions (LxWxH cm) | Weight (kgs) |
|---------|---------|--------|-----------------|-------------------|------------|-----------------------|--------------|
| PMD-096 | 96 | 2200 | 220V/1 ph/50 Hz | 1.5 kW/7.3 A | 3x2.5"x21" | 63x42x40 | 78 |
| PMD-120 | 120 | 2800 | | | 2x2.5"x40" | 111x42x40 | 80 |

Values are based on 25°C, 35000 TSD seawater and 55 bar pressure.

PMD Serie Watermaker Box Includes

- 316L stainless steel high pressure control valve,
- 316L stainless steel high pressure safety valve,
- 316L liquid filled high and low pressure gauges,
- fresh water flow meter,
- seawater flow meter,
- Low pressure shutdown,
- FILMTEC TFC membrane,
- FRP membrane housing,
- 316 stainless steel high pressure fittings,
- 25-5 micron pre-filtering,
- Operating time display

Optional Equipment

- Feed pump, automatic pressure regulator and fresh water flush, remote control

