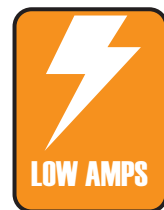
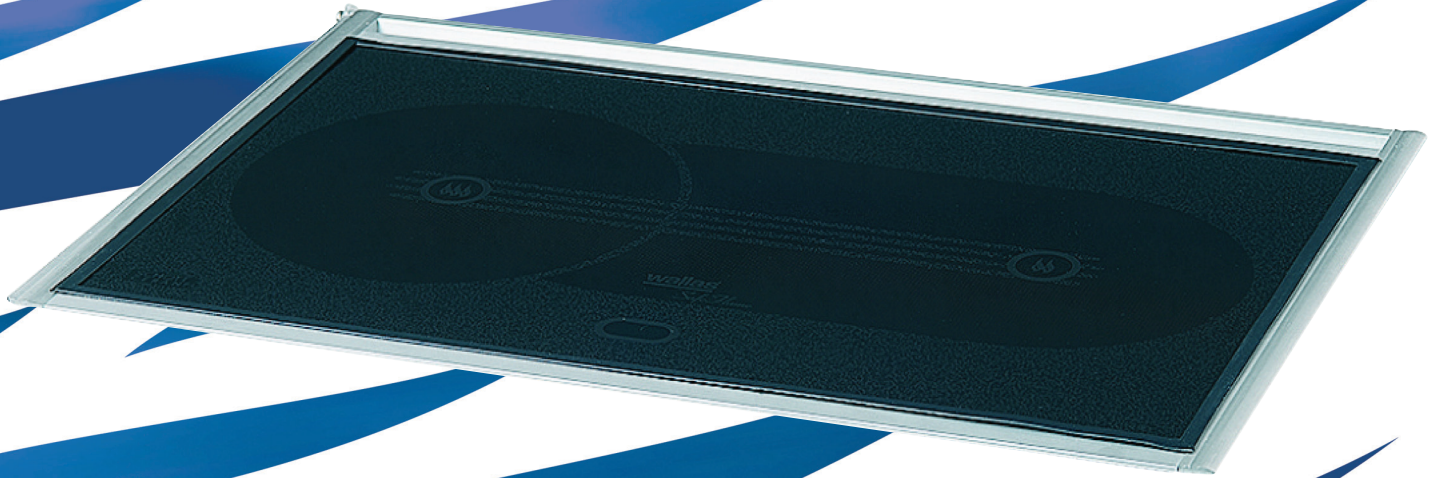




Never Use Propane Again!

Product: Wallas 85DU Flush mount Stove



The Wallas Diesel Stove is a very versatile cooker suitable for all vessels.

Wallas have been building Diesel stoves for 30+ years. Through innovative product development and high quality products they have become the world leaders in their field

- Runs on Diesel fuel (10 l fuel tank supplied)
- No smell/odours
- Draws air from inside cabin and exhausts outside
- No naked flame
- Easy to keep clean
- Simple to install, no plumbers or electricians needed

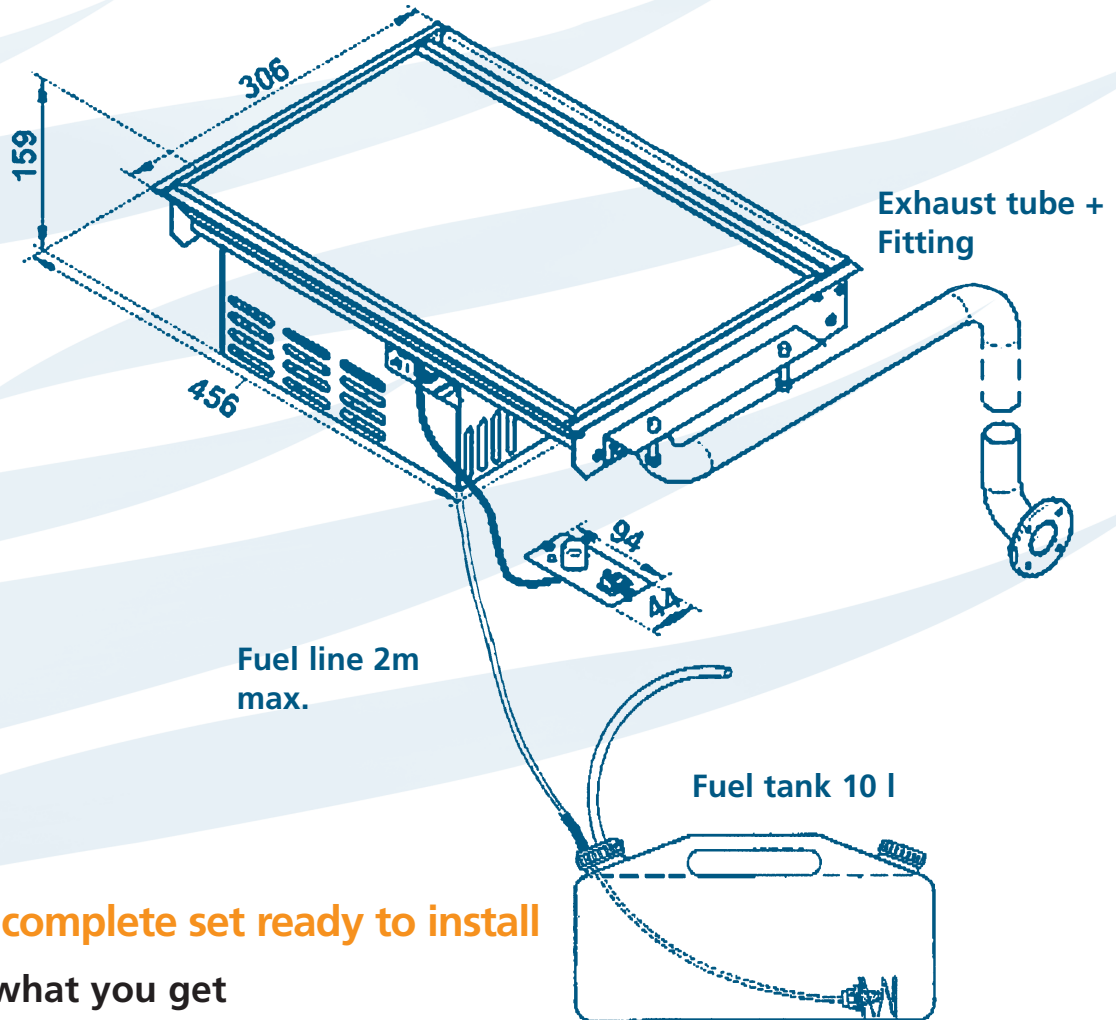




Technical Description

Installation Dwg. Wallas 85DU

Weight	- 8kg
Power consumption	- 1.6 Amp at start 0.19 Amp operating
Power supply	- 12V
Fuel consumption	- 0.09/0.44 l/h

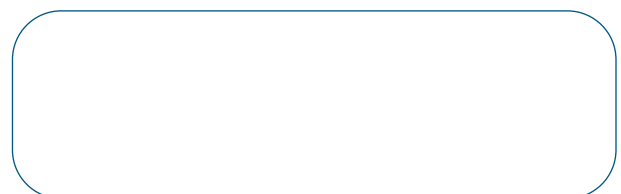


Sold as complete set ready to install

Here is what you get

- Wallas 85 DU Stove/Oven combo
- 2m exhaust hose
- Through hull/cabin side exhaust fitting
- 10 l fuel tank with all fittings and hoses needed
- Instruction manual with easy installation details

wallas[®]



Agent details

